

# CASABLANCA



Casablanca is a fun model, with a tank top shape where the cheerful colors of summer are worked in round tiles. The organic yarn is in cotton and linen, fresh and summery.



**Yarn:** BIO LINO col. 3560 lilac, col. 910 cream, col. 4302 ocher.

**Crochet Hook:** n.3

**Weight:** 240 g/ 8,46 oz. (2 balls col. lilac, 2 balls col. cream, 1 ball col. ocher).

**Tg.** 42 - S

**Stitches Used:** Segmented Circle, Treble Circle, Double Crochet.

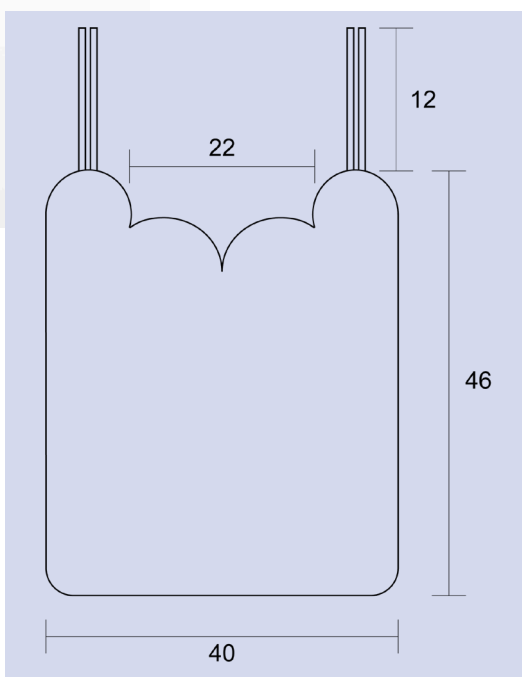
## Gauge:

The 1 - 2 - 7 - 8 tiles have a diameter of 10 cm (4 in.).

The 3 - 4 - 6 - 9 tiles have a diameter of 7 cm (2,75 in.).

The 5 tile has a diameter of 4,5 cm (1,77 in.).

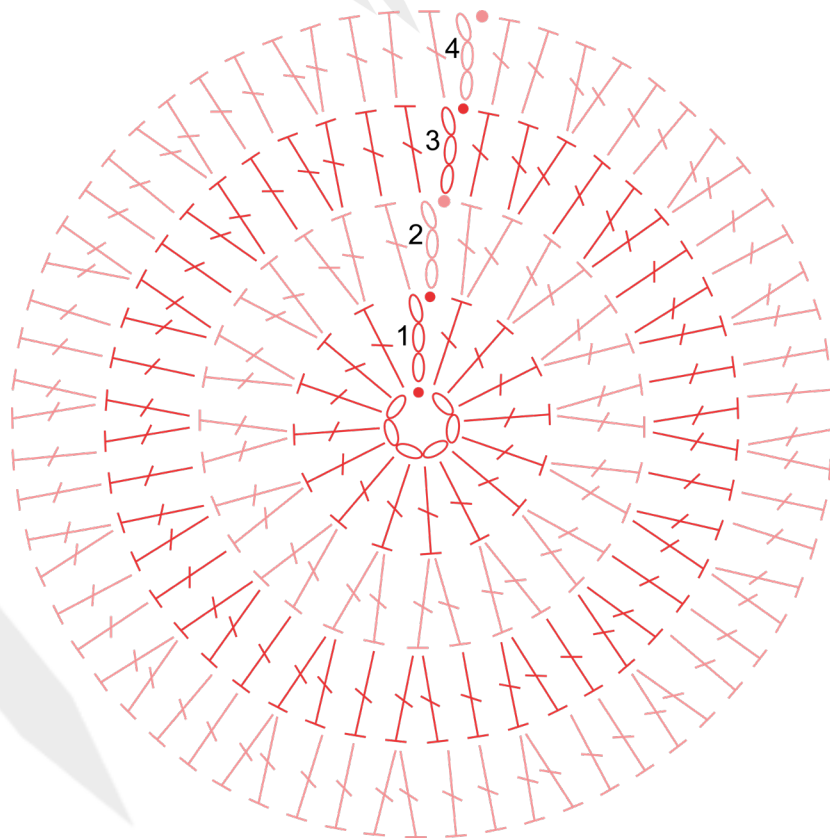
**Size S:** For each bigger or smaller size calculate in width 2 cm (0,75 in.) more or less; calculate in height 2 cm (0,75 in.) more or less. For larger sizes, add a series of tiles to the sides.



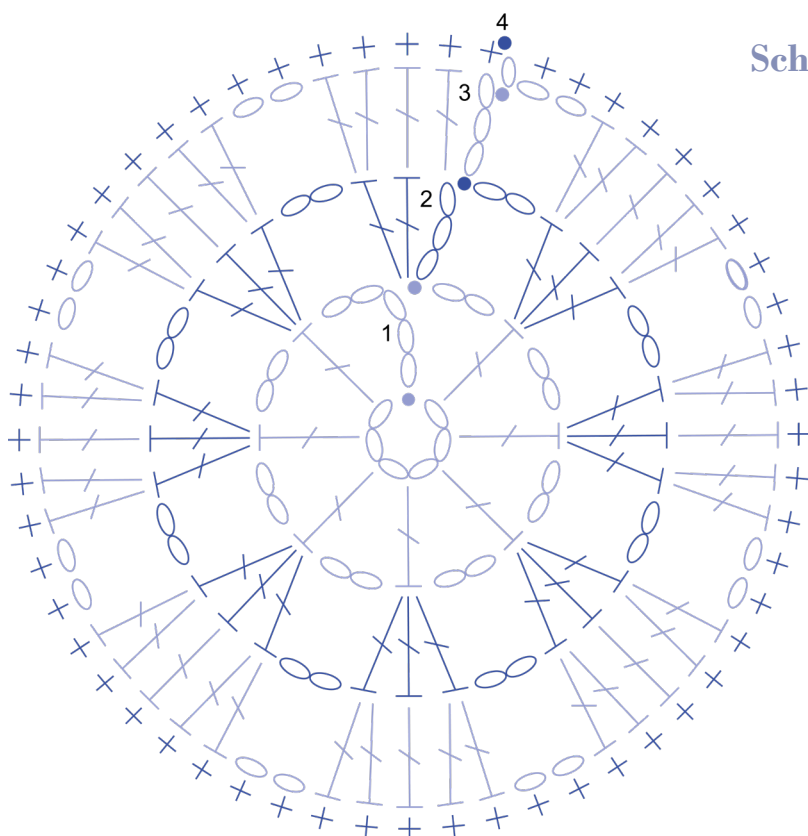
# CASABLANCA



**Scheme A: Treble Circle**

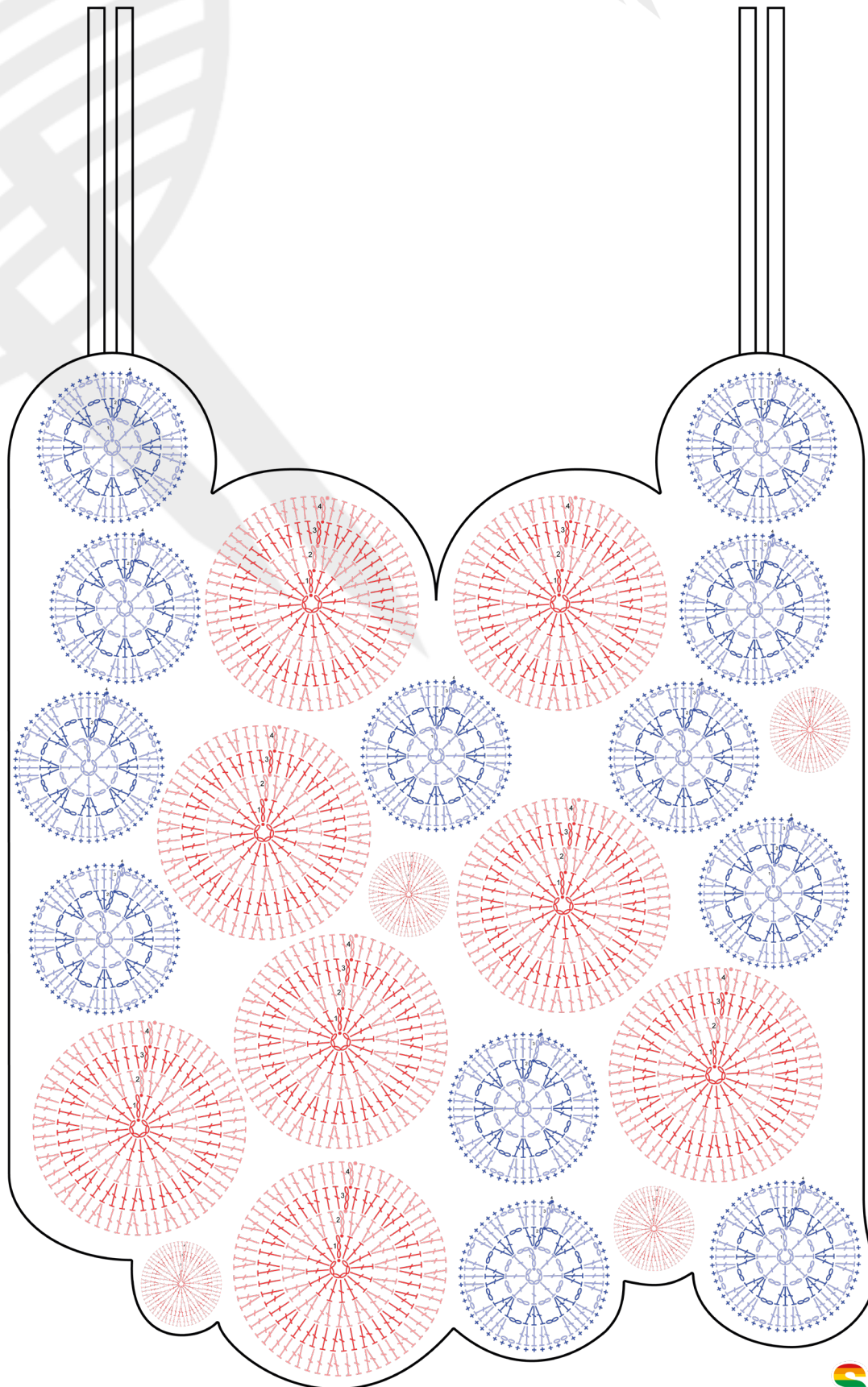


**Scheme B: Segmented Circle**

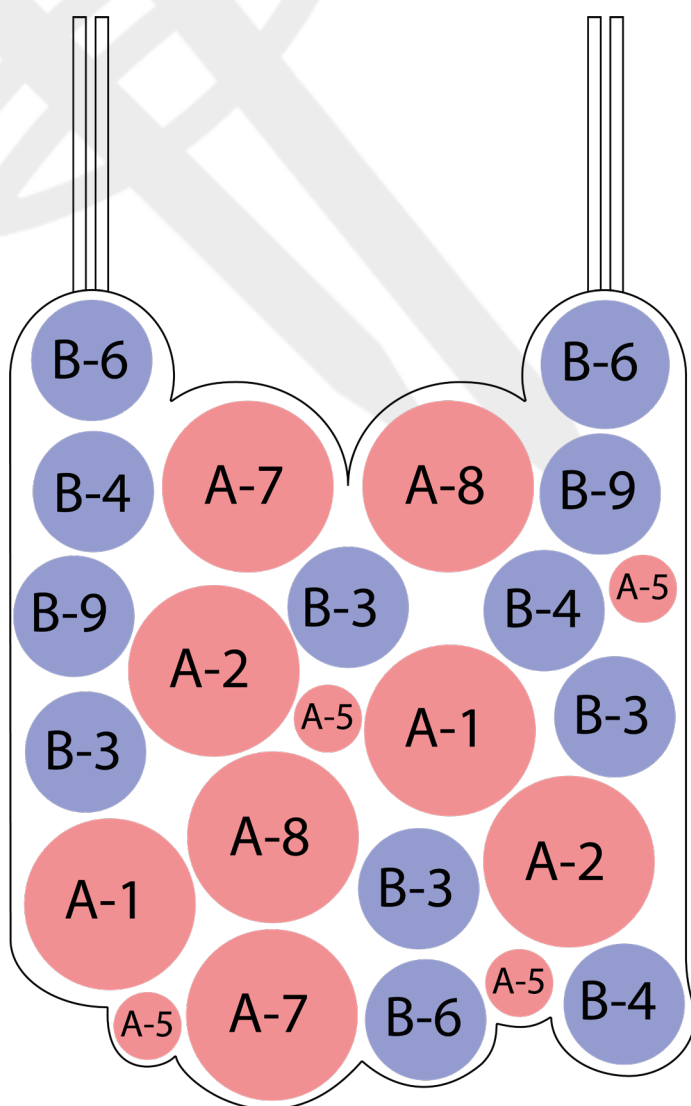


# CASABLANCA

## Tiles Arrangements - Scheme



# CASABLANCA



- 1:** 1 ocher round  
3 cream round  
1 lilac round
- 2:** 3 lilac round  
2 cream round
- 3:** Lilac
- 4:** Cream
- 5:** Ocher (only 2 round)
- 6:** 2 ocher round  
1 cream round  
1 lilac round
- 7:** 4 ocher round  
3 lilac round
- 8:** 2 ocher round  
3 lilac round
- 9:** 2 ocher round  
3 cream round



# CASABLANCA



**Knitting the Back and Front:** Using crochet hook n. 3, make tiles according to the given patterns and the different colors for each pattern. The tank top is made up of 48 tiles in total, positioned as in drawing, 24 on the front and 24 on the back. Sew tiles in the order given, and join sides. The front and the back are the same.

**Finishing:** For the shoulder straps, starting from front tile at the top right, with crochet hook n. 3 and col. cream, cast on 58 chains and rejoin them to the corresponding tile on the back. Work 3 rounds in **Double Crochet**, then fasten the thread. Make the other shoulder pad in the same way, starting from front tile at the top left.

